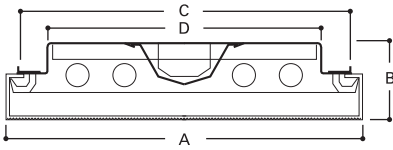


DIMENSIONS



NOMINAL LENGTH	A	B	C	D
4'/8' 2 Lamp	12" (305mm)	3-1/4" (83mm)	11" (279mm)	8-3/16" (208mm)
4'/8' 4 Lamp	16" (406mm)	3-1/4" (83mm)	15" (381mm)	12-13/16" (310mm)

DESCRIPTION

The WBI Wraparound Series offers a low profile housing and one-piece injection molded refractor with a concealed metal latch/hinge assembly. This energy efficient luminaire features an IMA refractor designed for optimum brightness control while maintaining architectural appeal and aesthetics in a surface mounted luminaire. The WBI Series has been designed to meet any specification requirement when a surface or pendant mounted luminaire is needed. The WBI is ideal for such applications as commercial office spaces, schools, hospitals and merchandising areas.



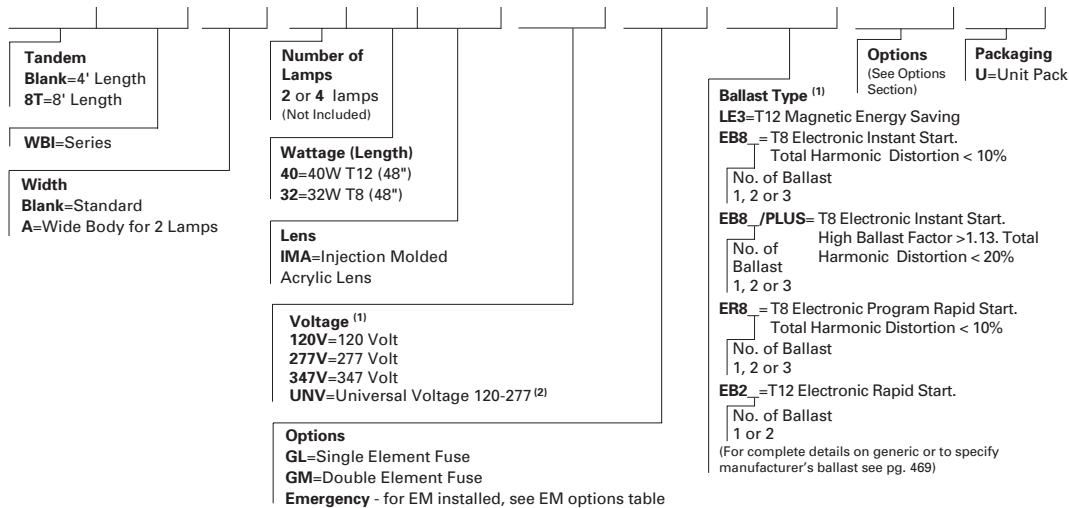
WBI SERIES

4' or 8' Surface
2 or 4 Lamp
Wraparound

SURFACE WRAPAROUND INJECTION MOLDED REFRACTOR

ORDERING INFORMATION

SAMPLE NUMBER: WBI-2321MA-120V-EB81-U



- Equipped with energy saving ballasts/complies with federal energy efficiency standards
- Low profile
- Low brightness
- One piece injection molded acrylic refractor
- Concealed positive metal latch/hinge
- Refractor hinges either side
- Die formed housing
- Baked white enamel finish
- Surface or stem mounting, single or continuous row ⁽³⁾
- Also available in tandem 8' lengths
- UL/CUL Listed. Suitable for damp locations.

NOTES: ⁽¹⁾Products also available in non-US voltages and frequencies for international markets. ⁽²⁾Not available when specifying emergencies, voltage must be specific. ⁽³⁾2 point suspension recommended.

For complete product data, reference the Fluorescent Specification binder. Specifications & dimensions subject to change without notice. Consult your Cooper Lighting Representative for availability and ordering information.